

ZONE	REV	DESCRIPTION	ECN NUMBER	DATE	APPROVED
1	1	Initial release	ECN000020	2022-09-08	John Du

精度误差/Accuracy

1.1 基本精度/Basic Accuracy: $\pm 1.5\%FS @25^{\circ}C$

1.2 全误差带/Total Error: $\pm 2.5\%FS$

注: 基本精度指包括非线性/迟滞/短期重复性在内的温度精度误差。

全误差带是全温度/全压力范围内的产品精度。

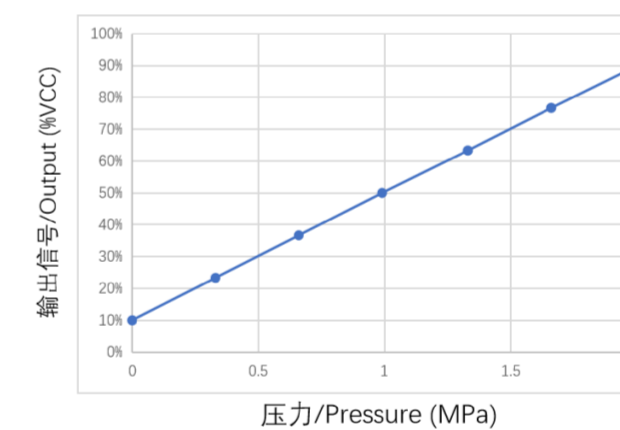
Note: Basic accuracy includes Non-Linear/Hysteresis & Short term Repeatability Accuracy @room temperature.

Total Error is accuracy in whole temperature and pressure range.

2. 性能规格/Specifications

- | | |
|--------------------------------|---------------------------------|
| 2.1 供电电压/Supply Voltage | 5.0 \pm 0.5 VDC |
| 2.2 供电电流/Supply Current | 10mA MAX |
| 2.3 压力介质/Pressure Medium | R410A,R134A,R22,R32,R404A,R407C |
| 2.4 压力范围/Pressure Range | 0~2MPa |
| 2.5 耐压压力/Proof Pressure | 4MPa |
| 2.6 破坏压力/Burst Pressure | 6MPa |
| 2.7 工作温度/Operating Temp.Range | -40~+120 $^{\circ}C$ |
| 2.8 输出电压/Output Voltage | 0.5~4.5VDC(Vcc=5.0 VDC) |
| 2.9 绝缘阻抗/Insulation Resistance | 100 Mohm(500VDC) |
| 2.10 电气强度/Electric Strength | 1800 VAC,1S or 1500VAC,60S |
| 2.11 过电压/Over Voltage | 20V |
| 2.12 反向电压/Reverse Voltage | -14V |
| 2.13 IP等级/IP Level | IP66 |

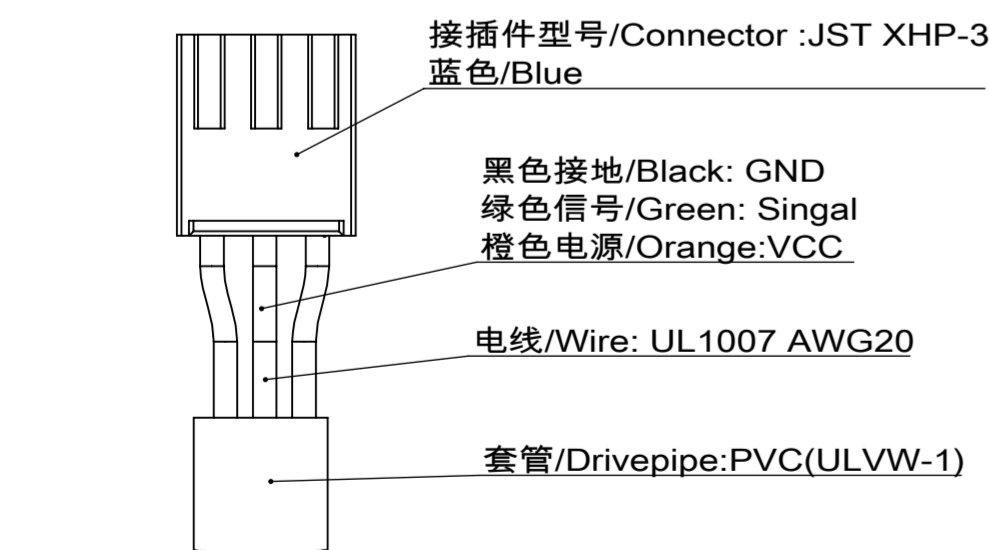
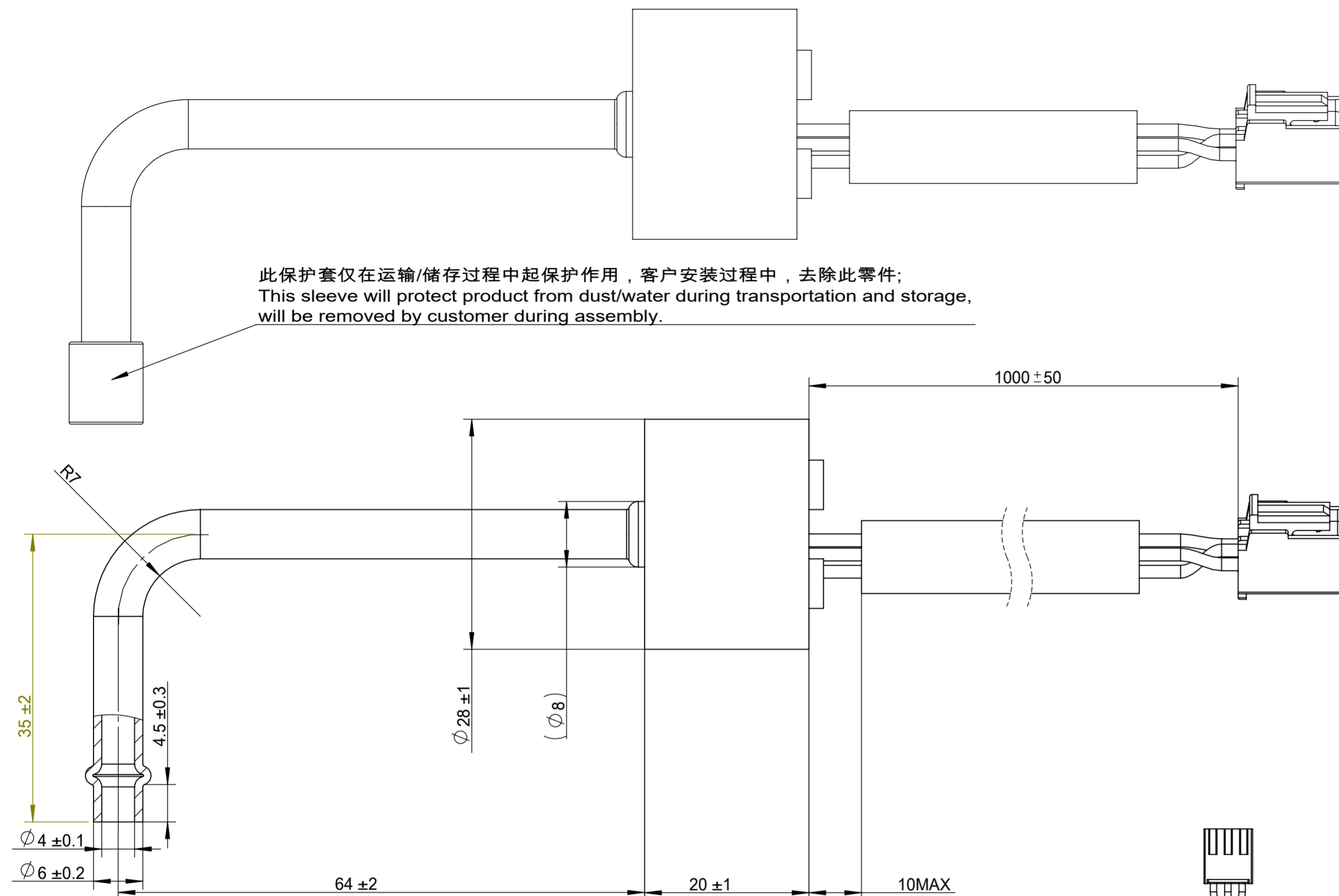
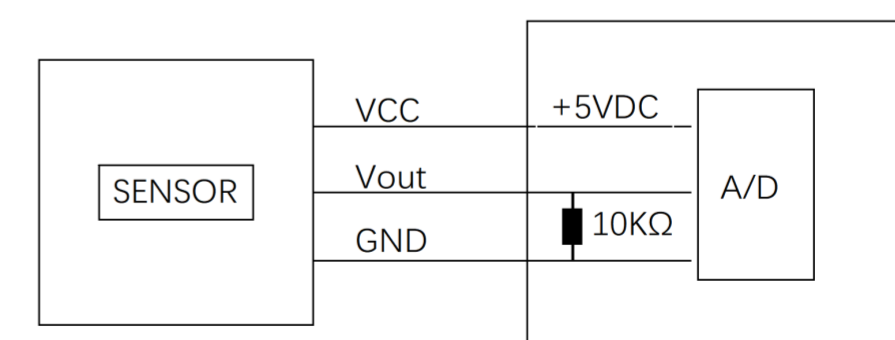
3. 输出特性/Output Characteristics



$V_{out} = V_{cc} * (0.4 * P_g + 0.1)$, $P_g = \text{MPa gauge}$
 V_{out} : 输出电压(Outout Voltage)[VDC]
 V_{cc} : 供电电压(Supply Voltage)[VDC]
 P_g : 输入压力(Input Pressure)[MPa]

Note: 0MPa gauge = 0.1013MPa abs

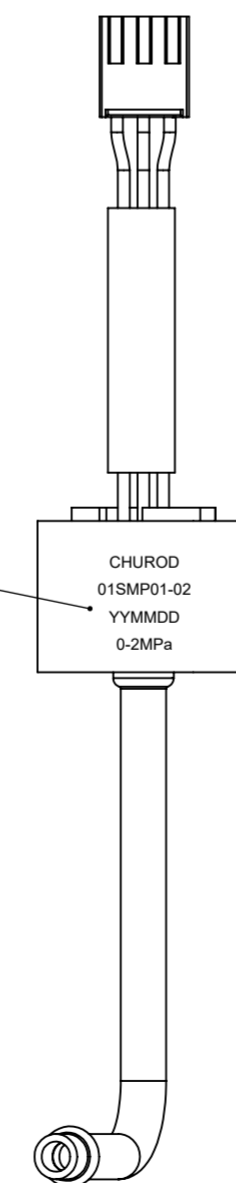
4. 电气连接图(Electric Installation)



接插件详图/Connector detail

激光打码内容/Laser Marking:

01SMP01-02 : 中汇瑞德产品编号/Churod Product Code
 YYMMDD: 生产年月日/Date of production
 0~2MPaG: 压力范围/Pressure Range



ALL RIGHT RESERVED
 NEITHER THIS PRINT NOR THE INFORMATION CONTAINED HEREON IS TO BE USED AGAINST THE INTERESTS OF CHUROD SENSING TECHNOLOGIES OR AGAINST THE INTERESTS OF ANY OF ITS AFFILIATED COMPANIES OR WHOLLY OWNED SUBSIDIARIES.

528 FANGQIAO ROAD
 XIANGCHENG DISTRICT
 SUZHOU CHINA

DRAWN	Steven Xu	INTERPRET DIMENSIONING AND TOLERANCING PER ASME Y14.5-2009. UNLESS OTHERWISE SPECIFIED DIMENSIONS ARE IN MILLIMETERS.	TOLERANCES	
DATE	2022-09-08		LINEAR	ANGULAR
ENGINEER	.	±0.5	±3'	DO NOT SCALE DRAWING
DATE	.			
APPROVED	John Du	METHOD		THIRD ANGLE PROJECTION
DATE	2022-09-08	SCALE		

TITLE		
VRF(LR)-ENV		
SIZE	NUMBER	REV
A2	01SMP01-02	1
SCALE	SHEET	1 OF 1
2:1		